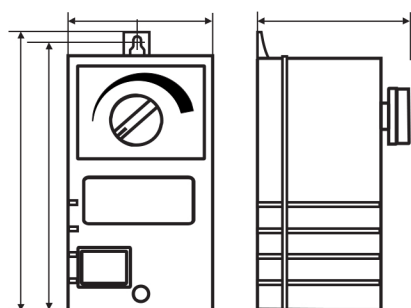


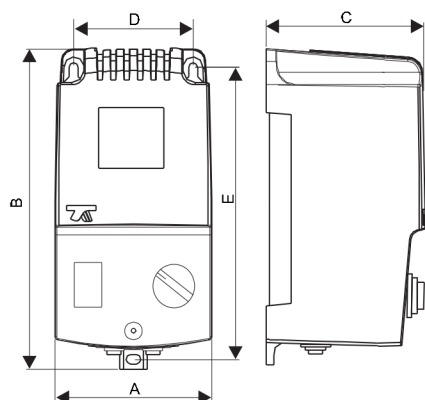
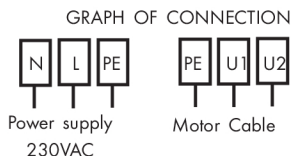


ARE and ARES electronic regulators are dedicated for fan speed control in single phase ventilation and heating installations (potentiometer regulation). Regulators are produced with IP54 protection grade and equipped with highlighted power switch, electric motors minimum speed regulation and fuse. Max permissible ambient temperature is 35°C. Version "S" (controlled by integrated circuit) has additionally mount in starting impulse protection "SoftStart" function and an extra 230VAC 2A output. Furthermore ARES10,0 version has built in TK contacts for motor overheating protection with alarm light indicator signalization. Regulators are manufactured in compliance with LVD:2006/95/EC and EMC:2004/108/EC directives.

Power supply: 230V, 50/60Hz
 Max. current SEC : 1,5 - 3,0 - 5,0 - 10,0 A
 Min. current SEC : 0,2 - 0,5 - 0,8 - 1,0 A



ARE 3,0



ARES 5,0
 ARES 10,0



Type	Art. Nr.	Current [A]	Dimensions [mm]					Mounting [Ø]	Weight [kg]
			A	B	C	D	E		
ARE 3,0	17886-9968	3,0	75	127	80		120	M4	0,22
ARES 5,0	17886-9967	5,0	90	175	95	71	157	M4	0,42
ARES 10,0	17886-9966	10,0	123	240	125	105	220	M6	0,62